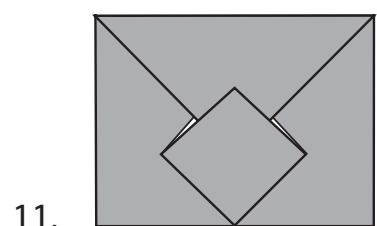
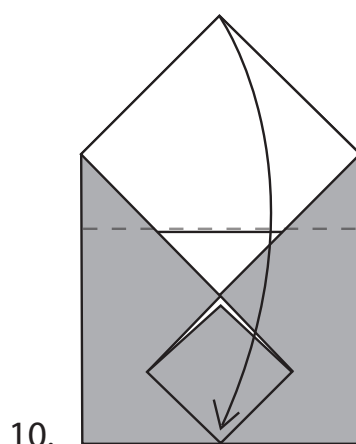
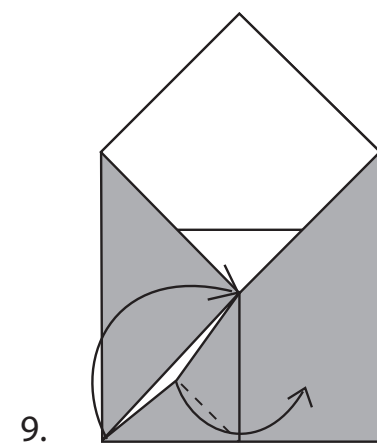
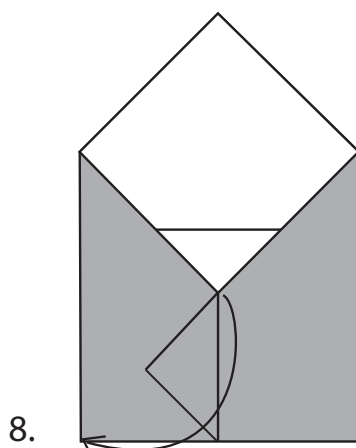
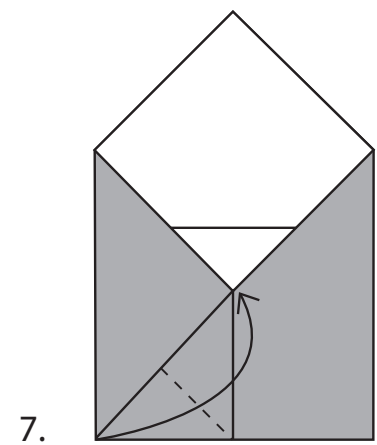
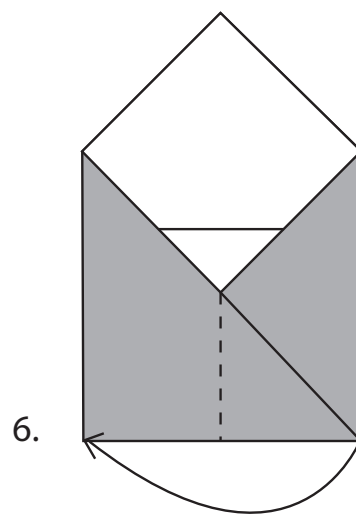
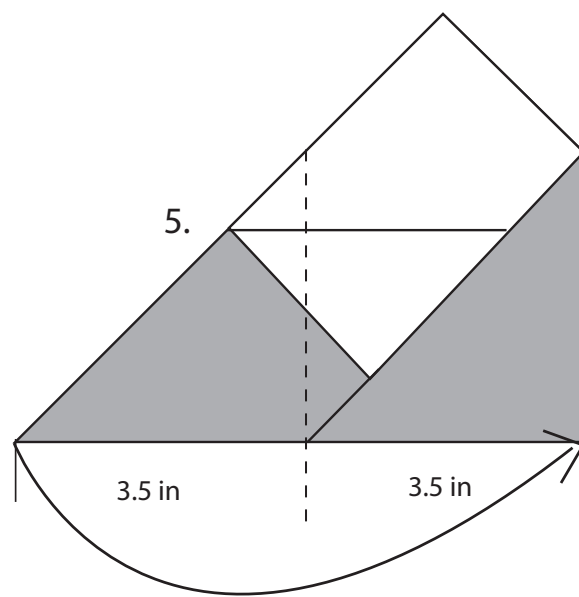
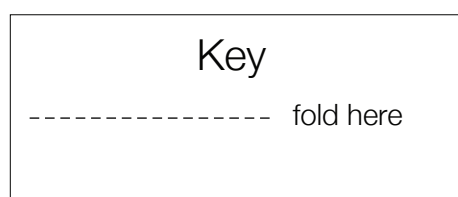
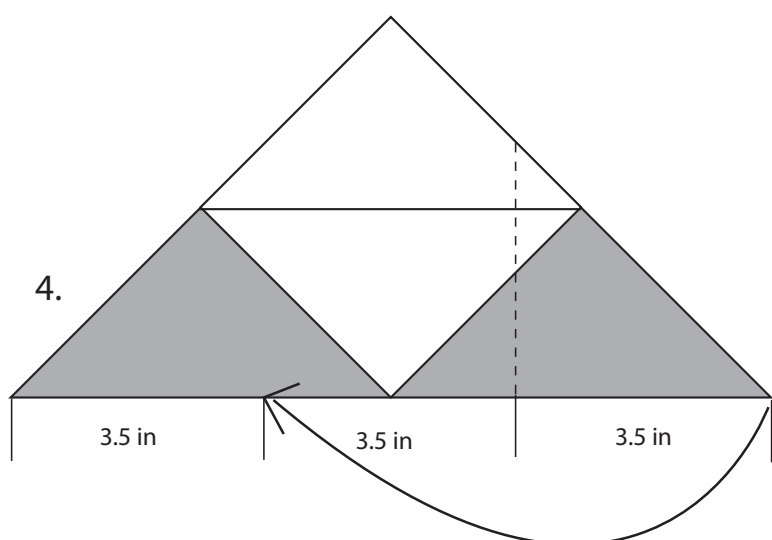
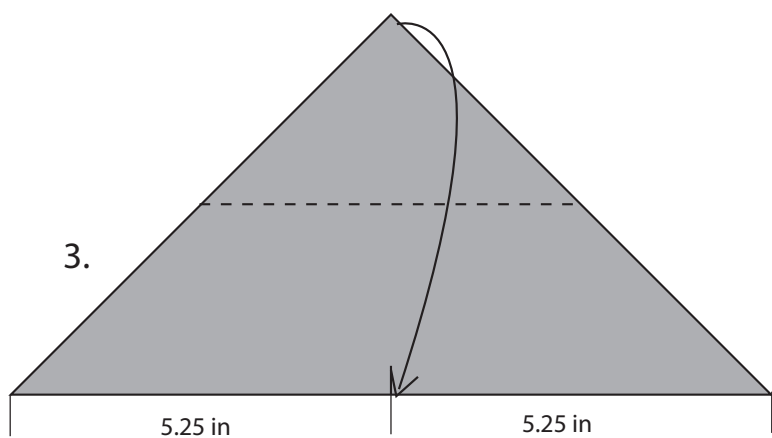
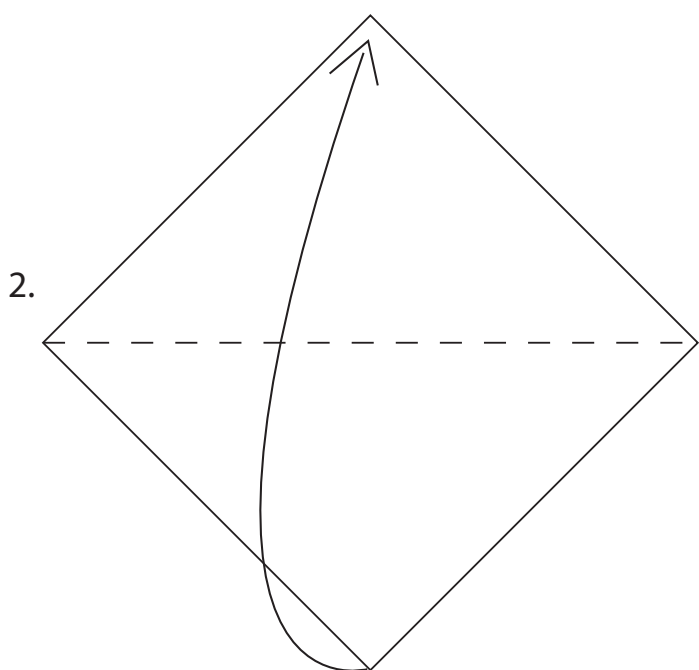
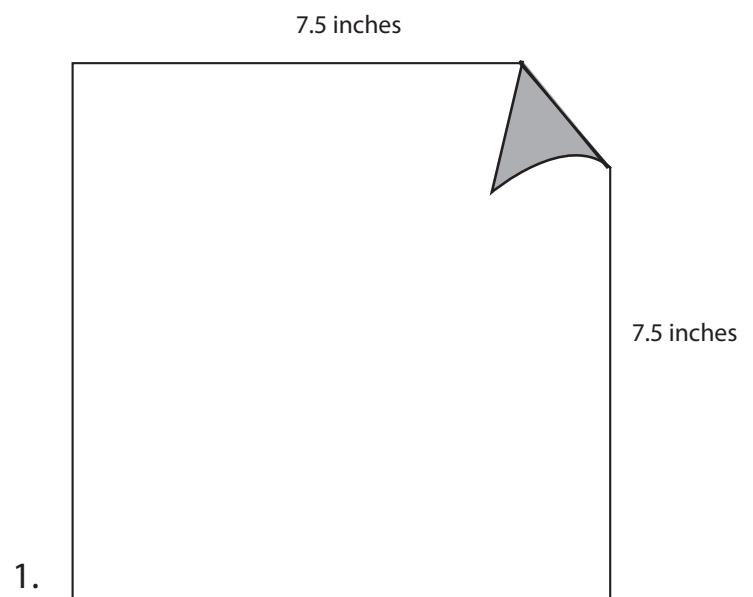


# wooster & prince papers

## Origami Gift Card Envelope



1. Start with a 7.5" square piece of decorative paper, print side down.
2. Fold in half from bottom point to top point, forming a triangle.
3. Fold the top corner of the first layer down to the bottom center.
4. Fold the bottom right point of your triangle two thirds of the way to the left. One third is about 3.5 inches when you use a 7.5 in. square.
5. Fold the remaining bottom left point over meet to the bottom right corner.
6. Take the point of your top layer, and fold it back towards the bottom left corner.
7. Now take the same point and fold it up to the center of your envelope, where the two flaps cross.
8. Unfold your last fold, creating a crease that will help you during step 9.
9. The next fold is called a "squash fold". Open up the inner pocket within the smallest triangle flap, and bring the tip of the bottom left point to meet the center point from step 7. You will create a diamond shape, and the crease lines from step 8 will be its left & right edge.
10. Fold the topmost point of your envelope to meet the bottom center.
11. Tuck the top corner into the "squash fold" diamond from step 9 to close.
12. Decorate with beads, string, wire, etc to give your envelope the perfect finishing touches.